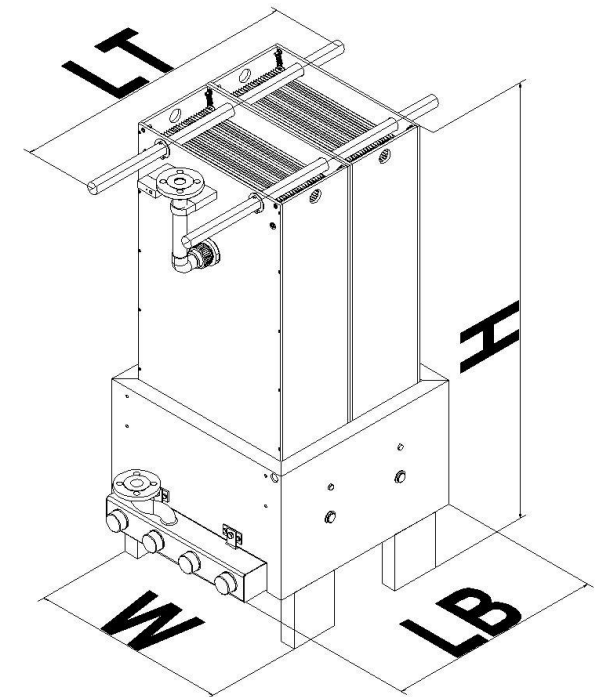


BIO-CEL® BC50 – DATA SHEET

MATERIAL		BC50	
Housing		Polyvinyl Chloride, Polyethylene	
Piping		Polyvinyl Chloride (PVC)	
Connections		Stainless Steel	
Membrane		Polyether Sulfone (PES)	
Drainage		Polyester	
Sealings		EPDM	
Diffusor		PP / EPDM	
MEMBRANE & OPERATING DATA			
Membrane Area	ft ²	538	
Nom. MWCO	kDa	150	
Pore Size	µm	0.04	
Pre-treatment, Recommended	in	0.08	
Maximum Airflow Rate	cfm	18	
Max. Content Suspended Solids (SS)	mg/l	12,000	
Max. Trans Membrane Pressure During Filtration	PSI	5.8	
Max. Trans Membrane Pressure During Backwash	PSI	2.2	
Max. Operating / Storage Temp	°F	104	
Min. Operating / Storage Temp	°F	40	
pH Range		2 through 11	
Chlorine Resistance	ppmh	100,000	
Operating Cycle: (Recommended)	Filtration	Min.	8.5
	Relax	Sec.	30
	Backwash	Sec.	30
	Relax	Sec.	30
Base Length (LB)	in	35	
Total Length (TL)	in	40	
Width (W)	in	28	
Height (H)	in	62	
Connection Aerating		Fixed Flange DIN 2633 - TypeC Series1 (ISO), PN16, DN32 x 42.2	
Connection Permeate		Lapped Flange PP /Steel, DN32 (ISO/DIN) 2501, PN16	
Dry Weight	lbs	276	
Wet Weight	lbs	441	
Maximum Load	lbs	1101	



Layout of BC50

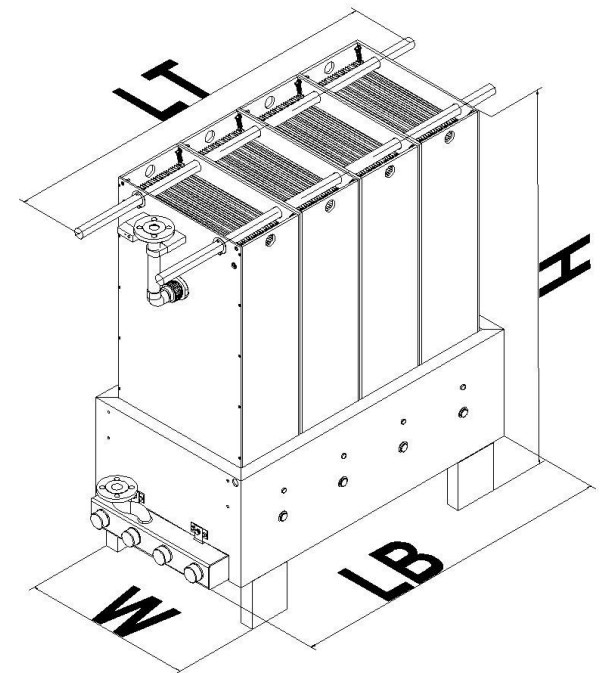


BIO-CEL® BC100 – DATA SHEET

MATERIAL		BC100	
Housing	Polyvinyl Chloride, Polyethylene		
Piping	Polyvinyl Chloride (PVC)		
Connections	Stainless Steel		
Membrane	Polyether Sulfone (PES)		
Drainage	Polyester		
Sealings	EPDM		
MEMBRANE & OPERATING DATA			
Membrane Area	ft ²	1076	
Nom. MWCO	kDa	150	
Pore Size	µm	0.04	
Pre-treatment, Recommended	in	0.08	
Maximum Airflow Rate	cfm	35	
Max. Content Suspended Solids (SS)	mg/l	12,000	
Max. Trans Membrane Pressure During Filtration	PSI	5.8	
Max. Trans Membrane Pressure During Backwash	PSI	2.2	
Max. Operating / Storage Temp	°F	104	
Min. Operating / Storage Temp	°F	40	
pH Range	2 through 11		
Chlorine Resistance	ppmh	100,000	
Operating Cycle: (Recommended)	Filtration	Min.	8.5
	Relax	Sec.	30
	Backwash	Sec.	30
	Relax	Sec.	30
Base Length (LB)	in	58	
Total Length (TL)	in	63	
Width (W)	in	28	
Height (H)	in	62	
Connection Aerating	Fixed Flange DIN 2633 - TypeC Series1 (ISO), PN16, DN32 x 42.2		
Connection Permeate	Lapped Flange PP /Steel, DN32 (ISO/DIN) 2501, PN16		
Dry Weight	lbs	496	
Wet Weight	lbs	661	
Maximum Load	lbs	1984	



Layout of BC100



BIO-CEL® BC400 – DATA SHEET

MATERIAL		BC400		
Housing		Polyvinyl Chloride, Polyethylene		
Piping		Polyvinyl Chloride (PVC)		
Connections		Stainless Steel		
Membrane		Polyether Sulfone (PES)		
Drainage		Polyester		
Sealings		EPDM		
Diffusor		PP / EPDM		
MEMBRANE & OPERATING DATA				
Membrane Area		ft ²	4300	
Nom. MWCO		kDa	150	
Pore Size		µm	0.04	
Pre-treatment, Recommended		in	0.08	
Maximum Airflow Rate		cfm	82	
Max. Content Suspended Solids (SS)		mg/l	12,000	
Max. Trans Membrane Pressure During Filtration		PSI	5.8	
Max. Trans Membrane Pressure During Backwash		PSI	2.2	
Max. Operating / Storage Temp		°F	104	
Min. Operating / Storage Temp		°F	40	
pH Range		2 through 11		
Chlorine Resistance		ppmh	100,000	
Operating Cycle: (Recommended)	Filtration	Min.	8.5	
		Relax	Sec.	30
	Backwash	Sec.	30	
		Relax	Sec.	30
Base Length (LB)		in	62	
Total Length (TL)		in	67	
Width (W)		in	46	
Height (H)		in	109	
Connection Aerating		Fixed Flange DIN 2633 - TypeC Series1 (ISO), PN16, DN65 x 76.1		
Connection Permeate		Lapped Flange PP /Steel, DN100 (ISO/DIN) 2501, PN16		
Dry Weight		lbs	1764	
Wet Weight		lbs	2425	
Maximum Load		lbs	6173	



Layout of BC400

